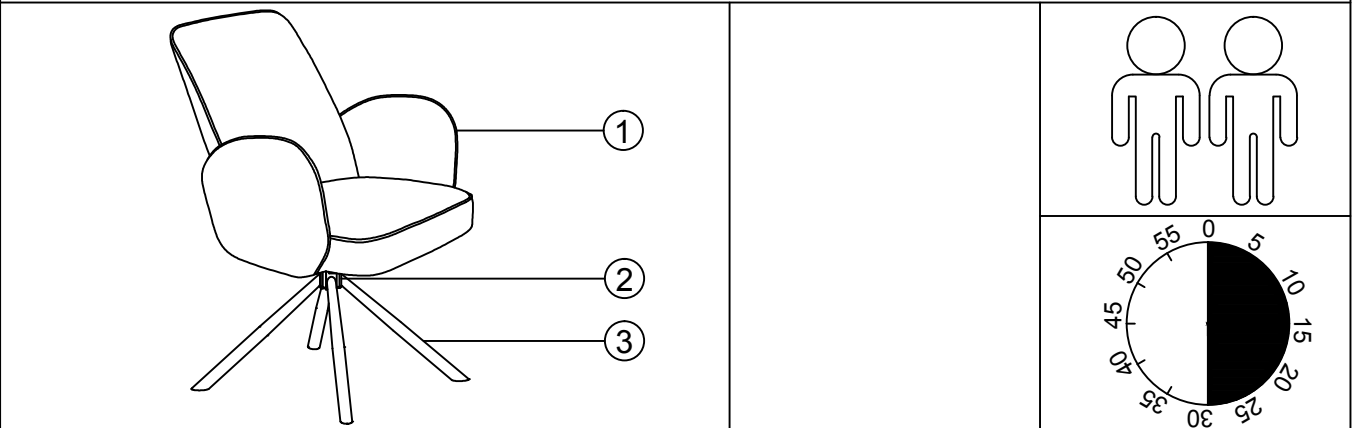


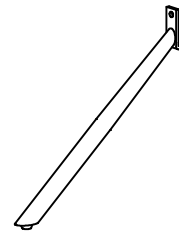
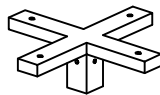
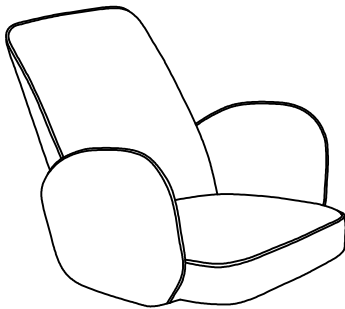
Adele 2



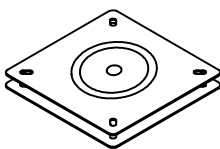
1

2






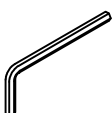
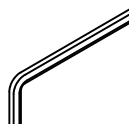


3



4

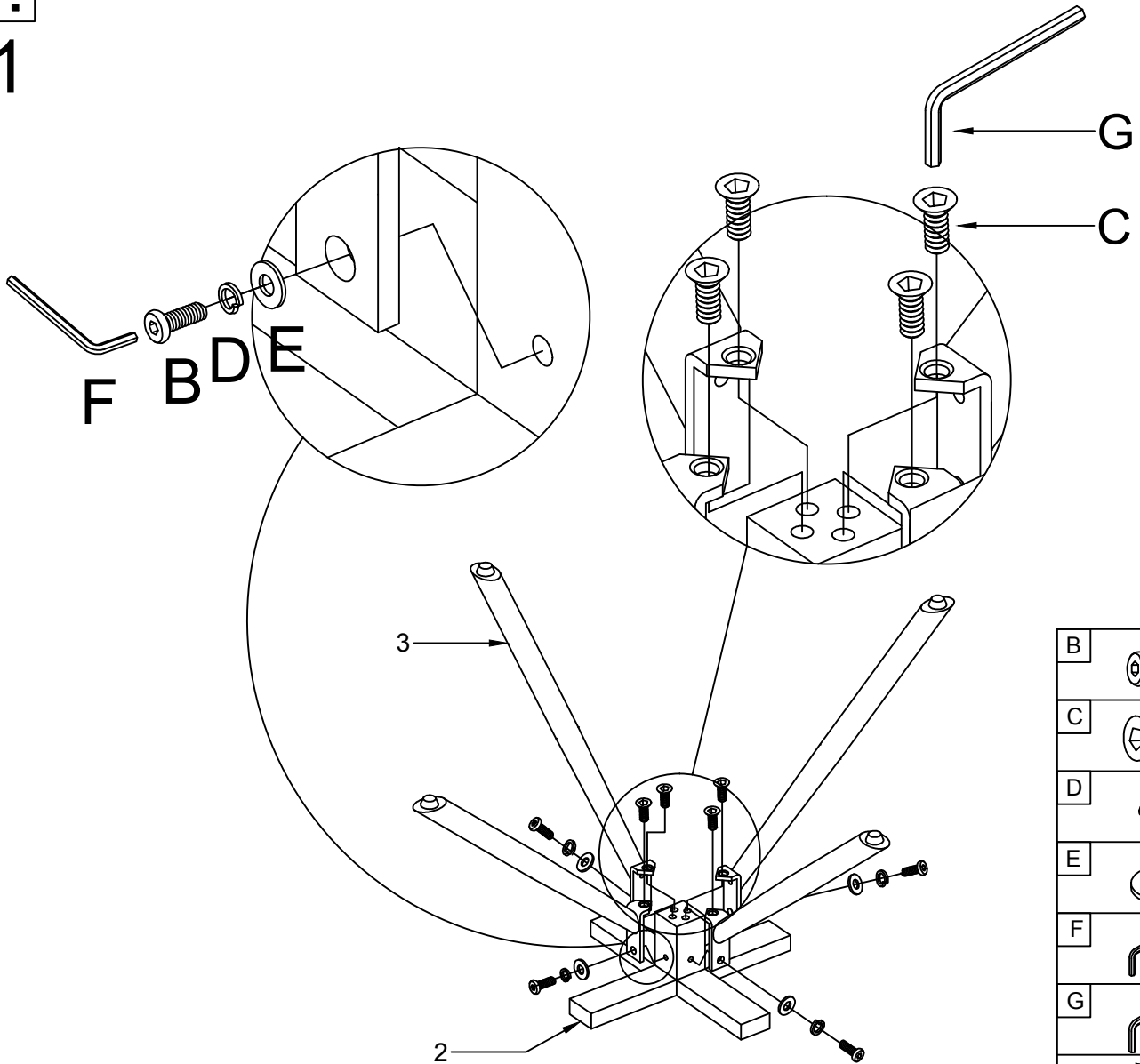









1	1x
2	1x
3	4x
4	1x

A	M6X13	B	M6X20	C	M8X16	D	M6	E	Ø18xØ6x1.5	F	4MM
											
4x		8x		4x		4x		12x		1x	
G	5MM	H	Ø17xØ6.5x4	I	Ø14x2						
											
1x		2x		4x							

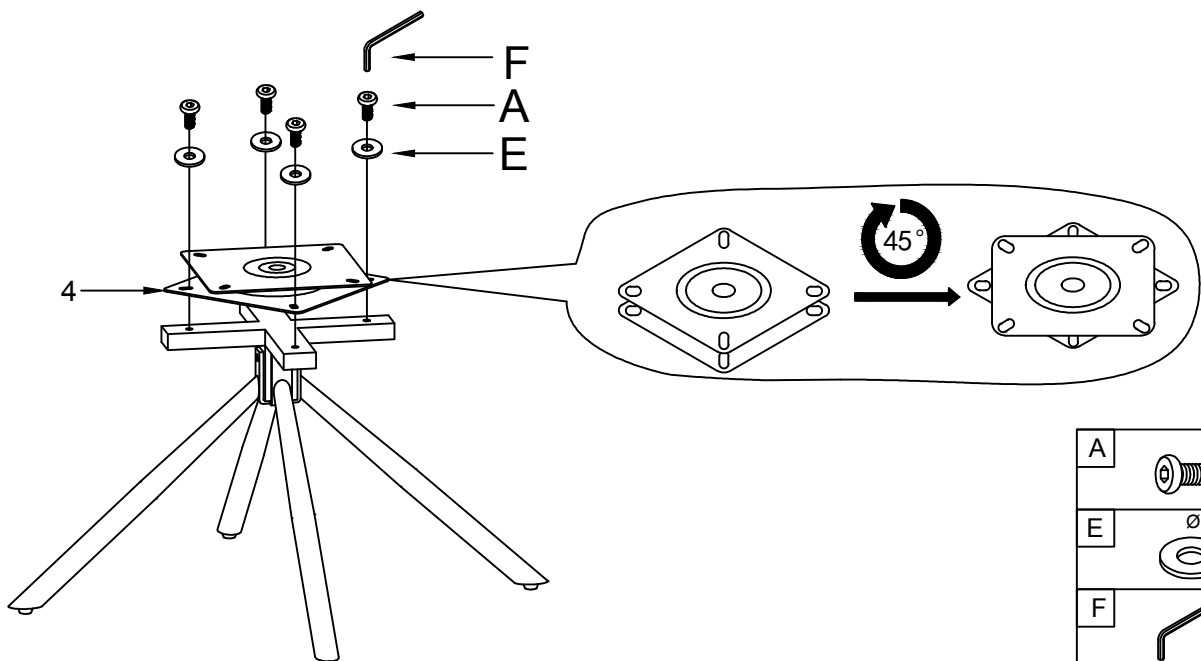
I.





1



B	M6x20
	4x
C	M8x16
	4x
D	M6
	4x
E	Ø18xØ6x1.5
	4x
F	4MM
	1x
G	5MM
	1x
	

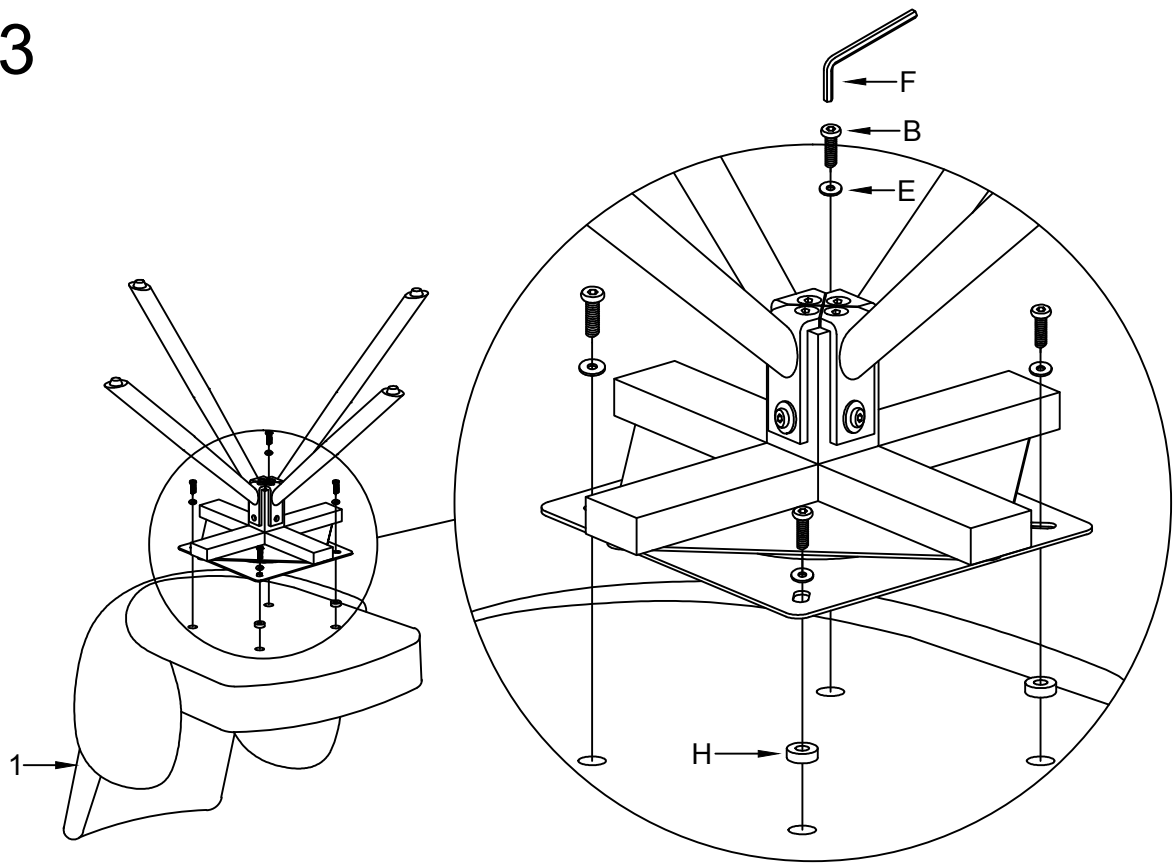
2



A	M6x13
	4x
E	Ø18xØ6x1.5
	4x
F	4MM
	1x
	

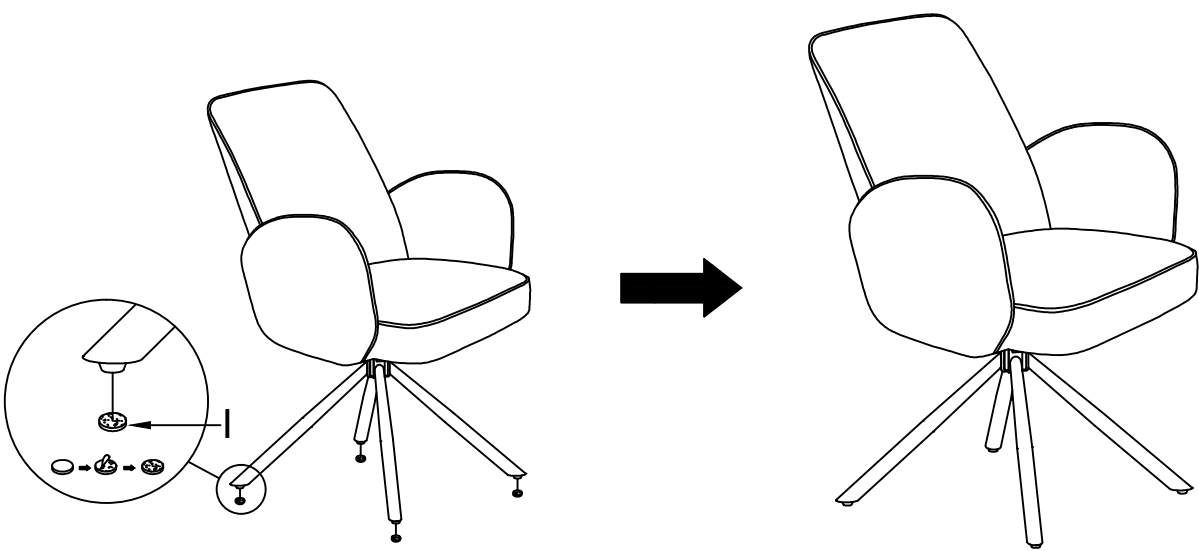
II.

3



- B** M6X20
4x
 - E** Ø18xØ6x1.5
4x
 - F** 4MM
1x
 - H** Ø17xØ6.5x4
2x
- 75%

4



- F** 4MM
1x
 - I** Ø14x2
4x
- 100%

